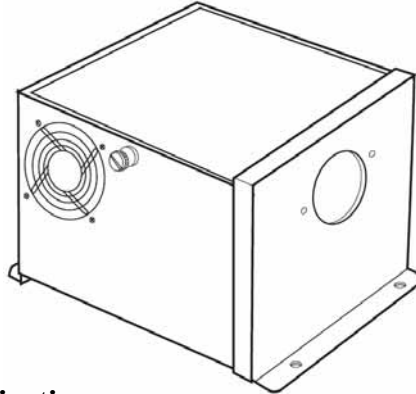


SV750 Illuminator



Specifications:

| | |
|------------------------|---|
| Application: | Dry Locations UL Listed. Indoor, Horizontal or Vertical surface mount. |
| Dimensions: | 5.50"L x 9.50"W x 5.75"H 140.0mm x 241.0mm x 146.0mm |
| Operating Temperature: | -20° F ~ 110° F / -29° C ~ 44 C° |
| Working Voltage: | 120VAC 60Hz / .70 Amps (US Market) 240VAC 50Hz / 0.4 Amps (EUR Market) |
| Fiber Capacity: | 2500, 0.75mm Fibers EndGlow® 500 SideGlow® |
| Lamp: | 75 Watt Quartz Halogen Lamp |
| Average Lamp Life: | 4000 Hours |
| Weight: | 7.0 lbs. / 3.2 Kg. |
| Ventilation: | Forced Ventilation 21 CFM. 2' (610mm) Clearance between Illuminators. |
| Finish: | Powder Coating (Silver) Corrosion and Chemical Resistant |
| Warranty: | 1 Year (Excluding Lamp) |

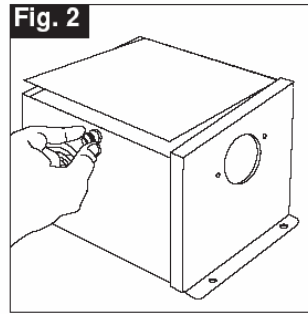
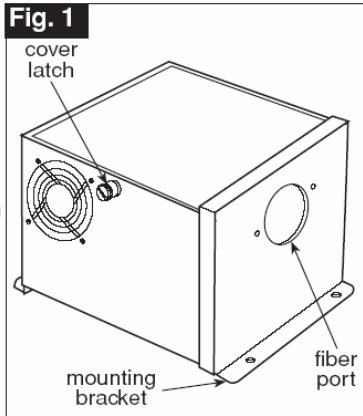
Installation Manual

Rev. A 12-23-2004

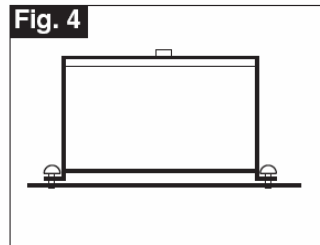
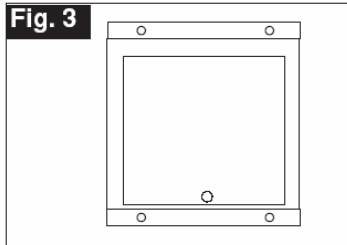
General Information:

Model: SV750

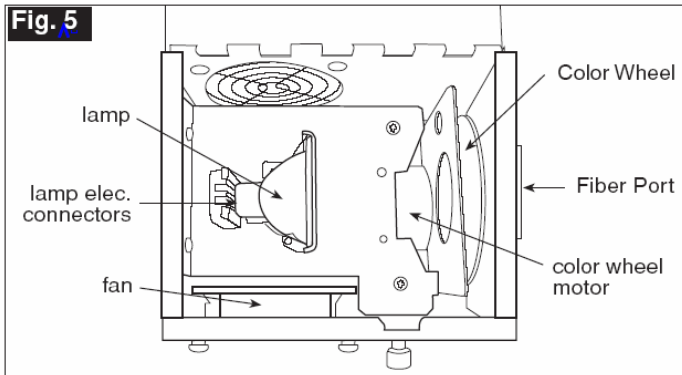
FEATURES
Cover Latch
Turn clockwise to unlock, press down firmly to lock.
(Fig. 2)



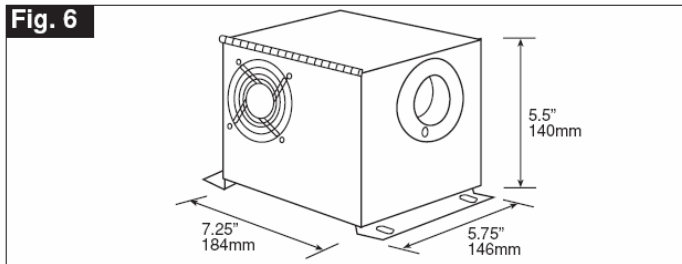
MOUNTING
Vertical (Fig. 3)
Horizontal (Fig. 4)



INTERNAL COMPONENTS
(Fig. 5)



DIMENSIONS
(Fig. 6)



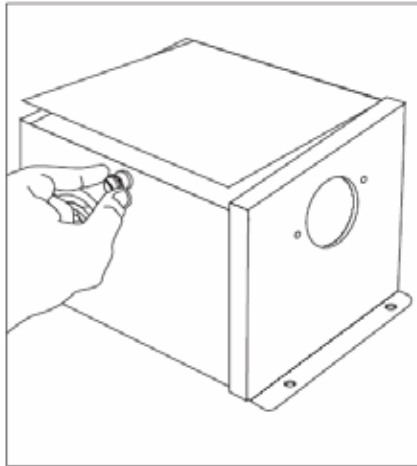
Lamp Installation:

Model: SV750

LAMP REPLACEMENT: Replace only with MR-16 75W EYC type lamp. Lamps available from Super Vision International Inc. (Part # 03.0003)

IMPORTANT! - Shut OFF the main power.

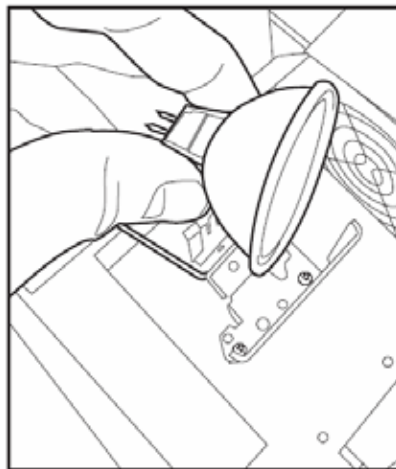
CAUTION: Do not touch lamp when hot. Let lamp cool down before replacing.



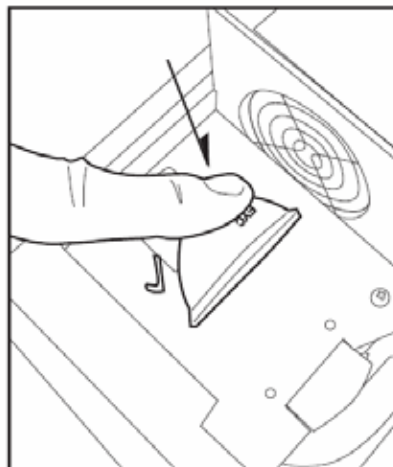
STEP 1
Open cover by twisting cover screw.



STEP 2
Push down lever to release the lamp from its bracket.



STEP 3
Carefully lift out the expired lamp.

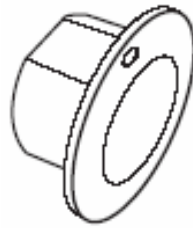


STEP 4
Replace with a new lamp by firmly pressing it down into place in the bracket. It will lock down automatically.

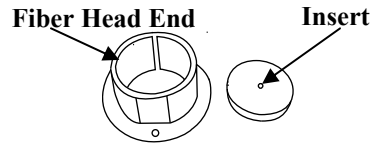
Fiber Head Preparation and Assembly of EndGlow® Model: SV750

PREPARE/INSTALL THE FIBER HEAD FOR ENDGLOW® APPLICATIONS

Fiber Head Capacity:
2500 fibers / .75 mm fibers

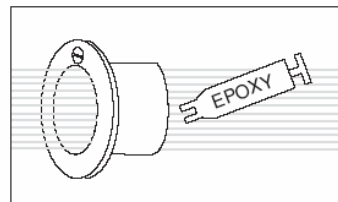
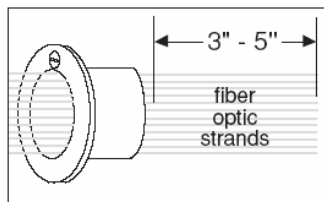


Fiber Head
2500 fibers



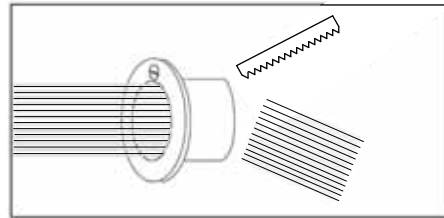
The amount of fiber that is inserted into the fiber head does not completely fill the fiber head, an insert is required. Drill hole into insert the diameter that is required. Install insert into fiber head by pressing until flush with end of fiber head.

STEP 5A - Prepare the Fiber



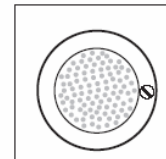
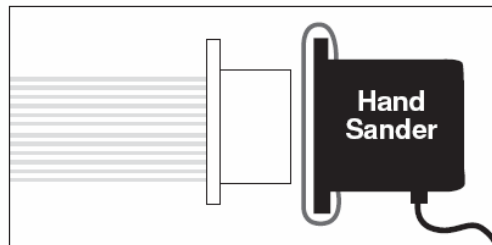
After applying epoxy, slide fiber head about one inch over the glued area.

STEP 5B - Cut the Fiber



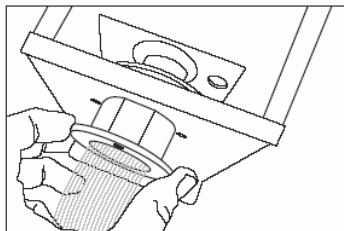
After epoxy has completely dried. Cut fibers flush with fiber head using Hack saw Blade or any fine tooth saw blade.

STEP 5C - Prepare the Fiber Head



Smooth cut on a full fiberhead.

STEP 5D - Install the Fiber Head



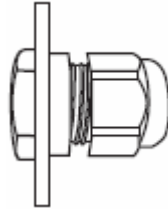
Align the Fiber Head with the port opening, screw securely into place.

IMPORTANT NOTE:
Do not push the black jacket portion of the cable into the Fiber Head. Overheating and melting of the fiber may occur.

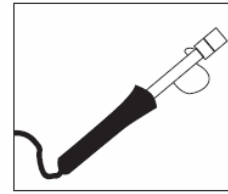
Fiber Head Preparation and Assembly of SideGlow® Model: SV750

PREPARE/INSTALL THE FIBER HEAD FOR SIDEGLow® APPLICATIONS

Fiber Head Capacity:
500 fibers

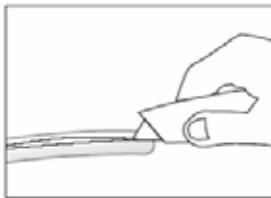


Fiber Head
500 fibers

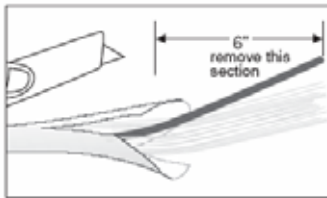


Hot Knife
(Not included)

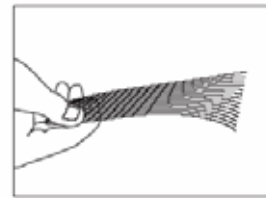
STEP 5A - Prepare the Fiber



Cut the protective jacket lengthwise being careful not to cut or damage the fibers.

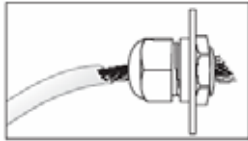


Remove approximately 6" of the protective jacket. Remove center core on SideGlow® cable.

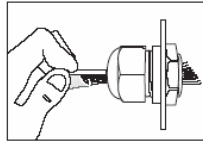


Inspect the fibers making sure none are cut or damaged.

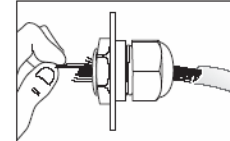
STEP 5B - Prepare the Fiber Head



Push the fiber through, making sure it extends past the tip of the Fiber Head.

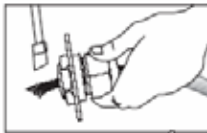


Tighten the Fiber head. Install white spacers if the fiber is loose in the fiber tight connector.

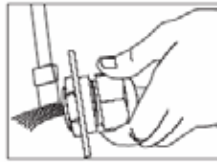


Add extra fiber in the tip until the fiber is tight.

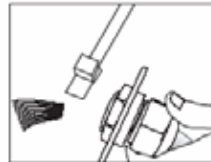
STEP 5C - Cut the Fiber



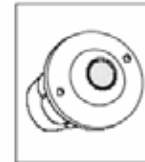
With the Hot knife fully heated...



Apply an even pressure on the fibers.

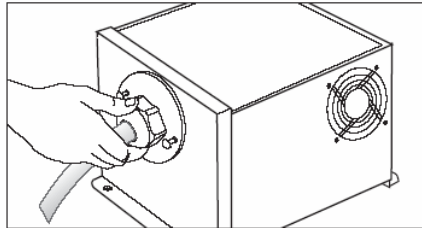


Do not use a sawing motion



Smooth Cut

STEP 5D - Install the Fiber Head



Align the Fiber Head with the port opening, screw securely into place with provided screws.

IMPORTANT NOTE:
Do not push the Clear jacket portion of the cable into the Fiber Head. Overheating and melting of the fiber may occur.

Trouble Shooting:

Model: SV750

- **Light Source will not operate:**
 - Check if the power switch is in the ON position / check fuse
 - Make sure the unit is wired properly

- **Lamp is OFF but the fan is ON:**
 - Shut OFF the light source immediately and check the lamp connections.
 - If lamp is still not on, replace Lamp

- **Lamp is ON but the fan is OFF:**
 - Shut OFF light source immediately and call Service Representative

- **Light Source does not change color:**
 - Check the color wheel for obstructions
 - Check the color wheel nut for tightness
 - Check the fibers are not contacting the color wheel

- **Light dims over a period of time:**
 - Inspect the fiber head for a clean and smooth cut
 - Re-cut the fiber head if it appears otherwise
 - Inspect the color wheel and glass filter for clarity - clean if necessary

- **Light Source shuts OFF after running for a while:**
 - Check if fan is running
 - Check for proper ventilation and ventilation obstructions

- **Fiber is melted at the Fiber Head:**
 - Check if fan is running
 - Check for proper ventilation
 - Check for EndGlow™ black jacket in the Fiber Head - Remove the black jacket and recut the fiber head