

INSTALLATION INSTRUCTIONS
LiveLED 12



MODEL NUMBER
ALS-LLED12

ADVANCED
LIGHTING SYSTEMS
A NEXUS LIGHTING COMPANY

Table of Contents

Product Overview	1
Safety Information & Warnings	2
Product Picture	2
Placement & Mounting Requirements	3
ETL Markings	3

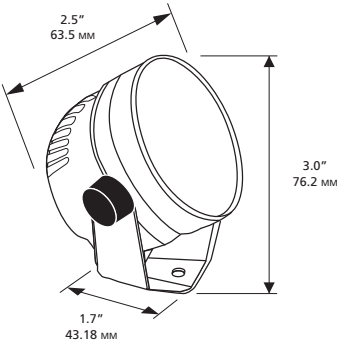
Thank you for purchasing the LiveLED™ 12 fixture from Advanced Lighting Systems, Inc. This LED luminaire has been engineered and designed to be simple to operate, energy efficient, safe and reliable. The LiveLED™ 12 is a LED - RGB color-changing, yoke mounted luminaire for indoor and outdoor venues and applications. The LiveLED™ 12 features an integrated off board power supply with DMX 512 control system. Proprietary LED driving technology driving 7 LED's (3 red, 2 green, 2 royal blue). Smooth RGB color mixing and full range dimming allow for 16.7 million colors and a variety of effects including variable speed cross fades, variable speed color changes, strobes and more. The unit may be operated with DMX controllers, in master / slave synchronization, with other units (with or without a controller), and in stand-alone mode with 49 pre-programmed effects. The construction of the LiveLED™ 12 consists of a cast, machined and powder coated aluminum housing with integrated heat sink, formed and powder coated CRS yoke, and the diffusion lens is pressure fit and silicone sealed for damp locations.

Important Safety Information

IMPORTANT SAFETY INSTRUCTIONS

READ & FOLLOW ALL INSTRUCTIONS

- SAVE THESE INSTRUCTIONS.
- WARNING: RISK OF INJURY.
- WARNING: THE HEAT SYNC COMPONENT OF THIS UNIT MAY BECOME HOT DURING OPERATION. TAKE CAUTION WHEN HANDLING UNIT DURING OPERATION.
- WARNING: RISK OF ELECTRIC SHOCK.
- CAUTION: CONNECT ONLY WITH DESIGNATED CABLING AND TO THE DESIGNATED ALS PROPRIETARY CONTROLLER. FOR HELP IN DETERMINING A PROPER COMPLETE SYSTEM OR IF YOU HAVE ANY CONCERNS OR QUESTIONS DURING YOUR INSTALLATION YOU SHOULD CONTACT SV LIGHTING OR YOUR AGENT.
- KEEP THE CONNECTION POINT ON THE UNIT AWAY FROM DIRECT CONTACT WITH WATER OR SNOW.
- DO NOT BURY ELECTRICAL CORD



Placement & Mounting Requirements

The LiveLED™ 12 is designed to operate in an dry indoor or outdoor locations. The unit draws at full output power 12 Watts Max.

The LiveLED™ can be mounted outdoors or indoors (damp or dry) by mounting the yoke to a flat surface, but it is vital in outdoor applications that the back of the unit at the connector is not exposed to water, snow, or rain. This unit may be installed in any orientation against a flat surface such as a wall or ceiling fastened securely which will adequately support three times the weight of the unit. When installing unit outdoors it must be mounted above 4 ft from ground surface and covered or mounted under a structure to assure the back of unit at connector will be free of direct contact with water, rain or snow. To maintain rated LED life the fixture needs to be adequately ventilated, therefore the LiveLED 35 unit must be installed in a space that allows for air flow. Recommended operating temperatures are between -22° F (30°C) and 104° F (40° C), this will prevent premature failure of the LED modules.



SUITABLE FOR DAMP LOCATIONS
CONVIENT AUX EMPLACEMENTS HUMIDES

SUITABLE FOR MOUNTING WITHIN 1.2 M (4 FT) OF THE GROUND
PEUT ÊTRE INSTALLÉ À MOINS DE 1,2 M (4 PI) DU SOL

SUITABLE FOR DRY LOCATIONS
CONVIENT AUX EMPLACEMENTS SECS

For additional assistance or questions contact an authorized distributor or dealer for Advanced Lighting Systems, Inc. or contact the factory at:

Advanced Lighting Systems, Inc.
519 Lincoln Road
Sauk Centre, MN 56378
Tel: 320.352.0088
Fax: 320.352.0089