



SUPERVISION
INTERNATIONAL

8210 Presidents Drive
Orlando, Florida 32809
svision.com

WARNING!
PERMANENT
DAMAGE TO THE
12VAC LAMP WILL
OCCUR IF IT
INSTALLED IN A
120VAC SOCKET.

The IGS54 and the IGS321 are available in either 12VAC (low voltage) model and a 120VAC mode. The 120VAC light has a gold or brass colored Edison screw base. The 12VAC Edison screw base is a silver or aluminum color.



DANGER!
RISK OF ELECTRICAL
SHOCK OR
ELECTROCUTION

Always disconnect power to the pool or spa light at the circuit breaker before servicing the light. Failure to do so could result in death or serious injury to the installer, servicemen, pool and spa users or others due to electrical shock.

Refer to the original manufacturer's installation manual before proceeding.

This device is not intended for use with emergency exit fixtures or emergency exit lights.

DELIVER TO HOMEOWNER

IGP231/IGS54 Galaxy LED Lamp

Installation/Operation/Warranty

This guide contains important information on installing and using your Galaxy LED Lamp. Please read it carefully and save it for future reference.

Rated Lamp Life

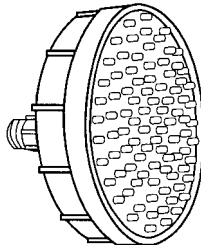
The illumination generated by the Galaxy LED Lamp is based on Light Emitting Diodes (LED) whose predicted source life is rated at 100,000 elapsed time hours under normal operating conditions.

[Temperature: -4° to 104°F (-20°C to 40°C), Humidity: 0-95% non-condensing humidity]. This equates to 11.4 years of continuous 24-hour a day usage.

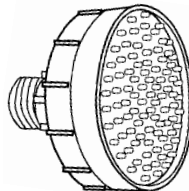
Safety Precautions

Do not open, alter or tamper with the product. This will void the manufacturer's warranty. Follow all instructions in the user guide, and observe all warnings carefully.

- Do not allow the LED unit to get wet. It is conformal coated to protect it from moisture.
- Keep the unit dry.
- Handle the Galaxy LED Lamp as you would any delicate product. Be careful not to drop the unit.



IGP231
Pool LED Lamp



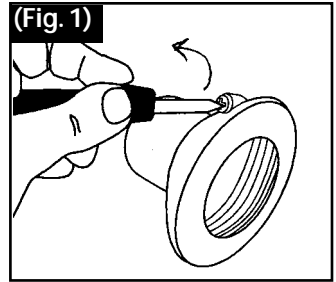
IGS54
Spa LED Lamp

Installation for IGP231/IGS54 Galaxy LED Pool & Spa Lamps

NOTE: Galaxy LED Lamp fits most 12VAC and 120VAC wedge-based lighting sockets. Galaxy LED Lamp are not for use with spas that have dimming systems or electronic controllers.

STEP 1

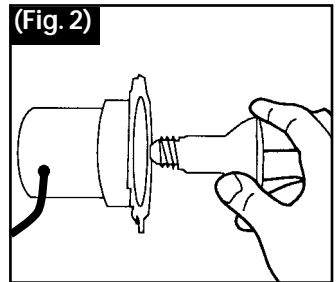
Access the old lamp according to your spa manufacturer's instructions. Remove the locking ring. (Fig. 1)



STEP 2

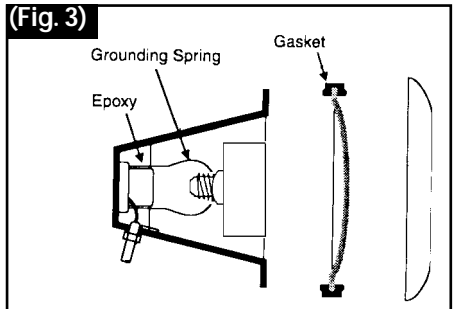
Remove the existing lamp. (Fig. 2),

⚠ WARNING: Always install a new lens gasket whenever disassembling the light. Failure to do so may permit water to leak into the assembly, which could cause: an electrical hazard resulting in death or serious injury to pool and spa users, installers or others due to electrical shock; or breakage of the lamp or lens which could result in serious injury to pool and spa users, installers, bystanders, or in property damage.



STEP 3

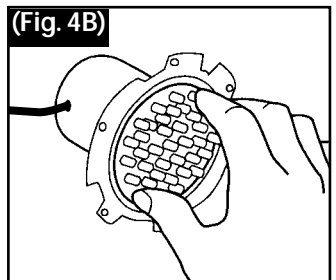
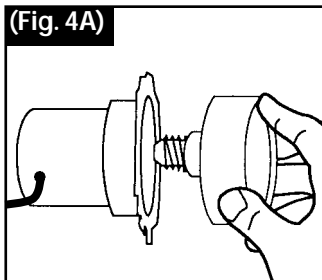
Replace the existing gasket with a new one. (Fig. 3)



STEP 4

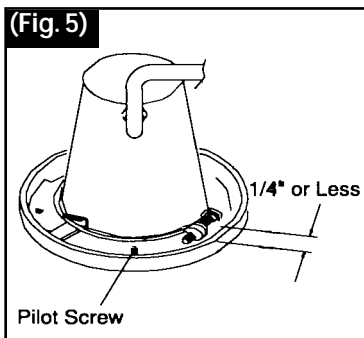
Screw in the Galaxy LED Lamp into the socket.

(Fig. 4A, 4B)



Installation for IGP231/IGS54 Galaxy LED Pool & Spa Lamps

⚠ WARNING: Some housings use a special pilot screw. This screw mounts and electrically grounds the housing securely to the mounting rings and wet niche. Failure to use the screw could create an electrical hazard which could result in death or serious injury to pool and spa users, installers or others due to electrical shock.



Controlling the IGP231/IGS54 Galaxy LED Pool & Spa Lamps

Use the pool or spa's existing light switch to control the effects.

CHOOSING EFFECTS

Galaxy LED Lamps are pre-programmed with an assortment of lighting effects.

- When you turn the Galaxy LED Lamp off and then on again within three seconds, it advances to the next effect.
- When you turn the Galaxy LED Lamp off and leave it off for more than five seconds, it returns to the first mode "white".

DESCRIPTION OF EFFECTS

1. **White only**
2. **Color Change** - Colors transition from color to color, cycling through the color spectrum. Each color cycle take approximately 1 minute.
3. **Yellow**
4. **Blue**
5. **Orange**
6. **Green**
7. **Hot Pink**
8. **Cyan**
9. **Blue/Green Mix**
10. **Party Mode™** - Multiple Colors transition quickly, cycling through the color spectrum.

Warranty

Super Vision® International, Inc. warrants its products to be free from defects in material and/or workmanship, under normal use, conditions and service, for a period of ONE YEAR from the date of original purchase. In the event of a defect in material or workmanship during the warranty period, Super Vision® will repair or replace (at its discretion) its products under the conditions of the Warranty. Super Vision® will do so at its expense for the materials but not for shipping. This remedy is the sole and exclusive remedy for any and all claims relating to any breach of warranty by Super Vision®. Limitations, exclusions and other rights:

1.) Except as provided herein, Super Vision® makes no other warranties, expressed or implied, including but not limited to the implied warranties of merchantability or fitness for a particular purpose, as all such warranties are expressly disclaimed. Some states do not allow the exclusion of an implied warranty, so the above exclusion may not apply to you.

2.) Super Vision® is not responsible for defects or malfunctions in and/or damage to lighting systems where a sale is specifically made without warranty. In such sales the disclaimers of warranty and liability; set forth above, shall continue to apply.

3.) The Warranty covers normal consumer use and does not cover damage which occurs in shipment or damage or failure which results from alteration, accident, theft, misuse, abuse, abnormal use, negligent installation, improper maintenance or where adequate care has not been taken to prevent damage to the lighting system.

4.) This Warranty gives you specific legal rights, and you may also have other rights which vary from state to state. If you discover a defect or malfunction during the period to which this Warranty applies, write or phone Super Vision® for information on receiving warranty service.

