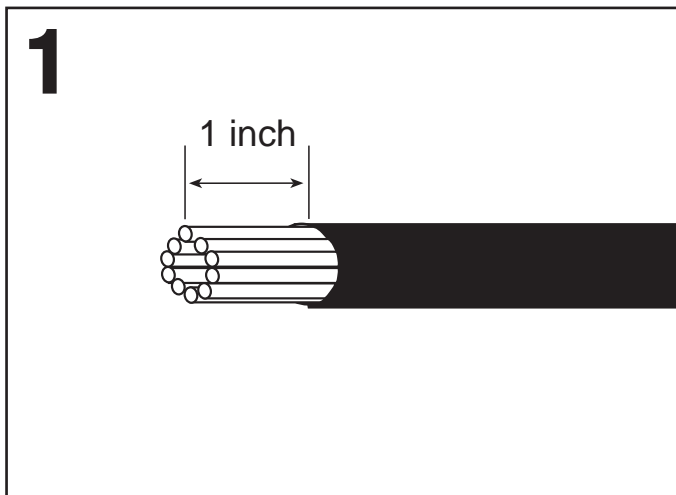
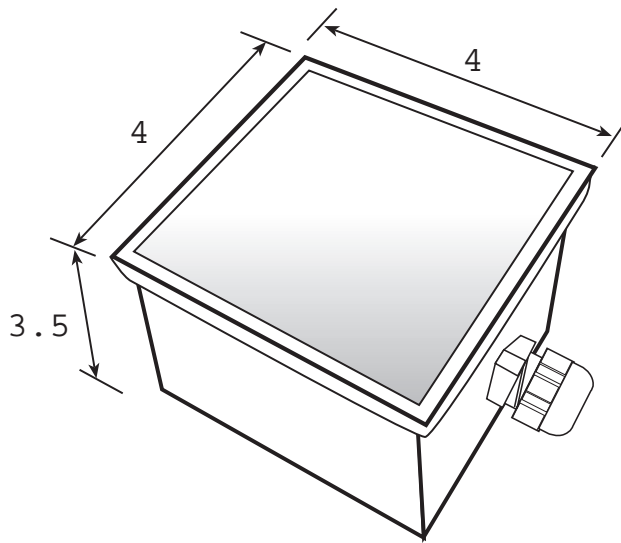
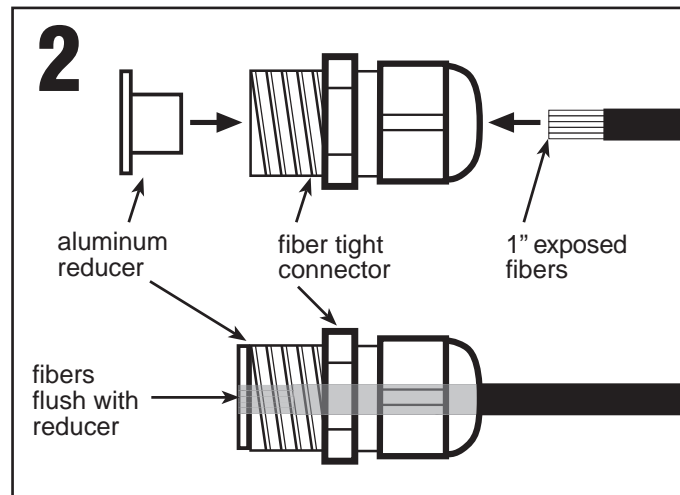


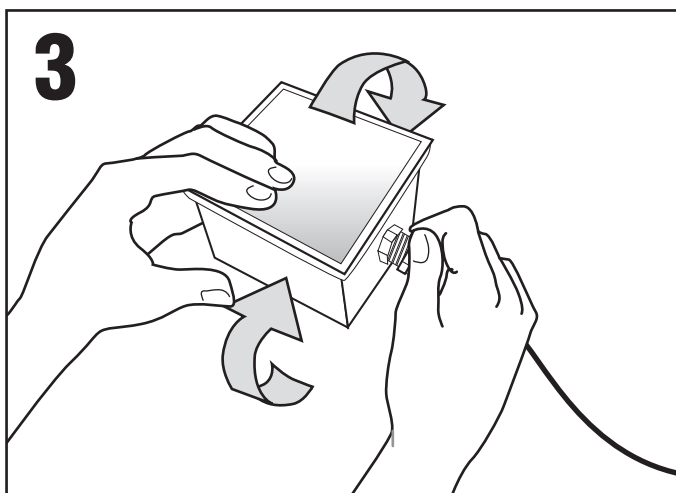
8210 Presidents Drive
Orlando, FL 32809 USA
Tel 407.857.9900
Fax 407.857.0050
www.svision.com



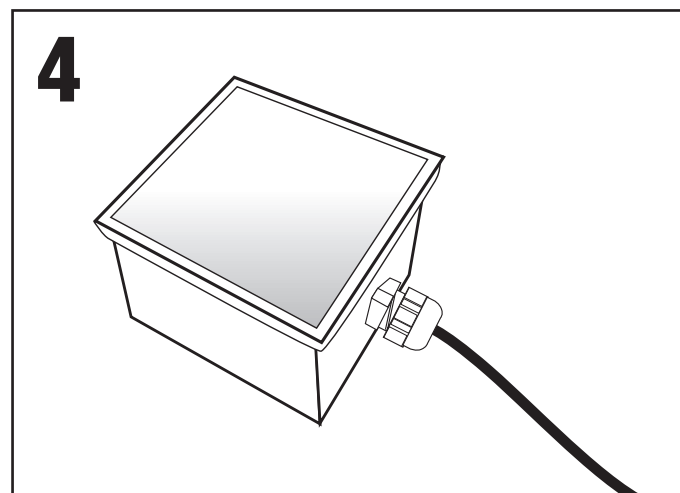
STEP 1: Strip jacket off the fiber optic cable.



STEP 2: Insert the aluminum reducer into the end of the connector. Insert the fiber into the connector flush with the end.

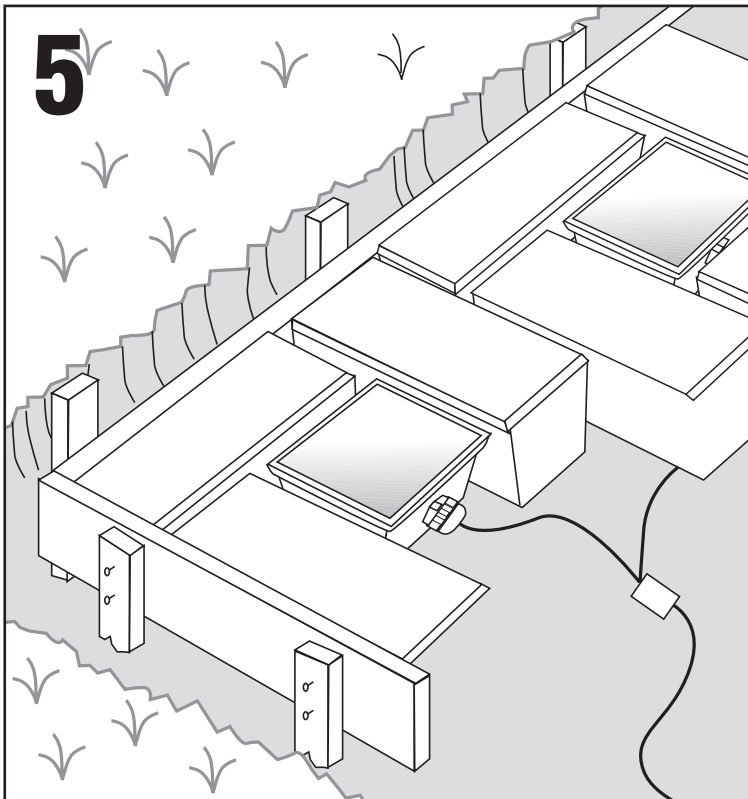


STEP 3: Thread the fibertight connector into the paver by rotating the Paver around it.

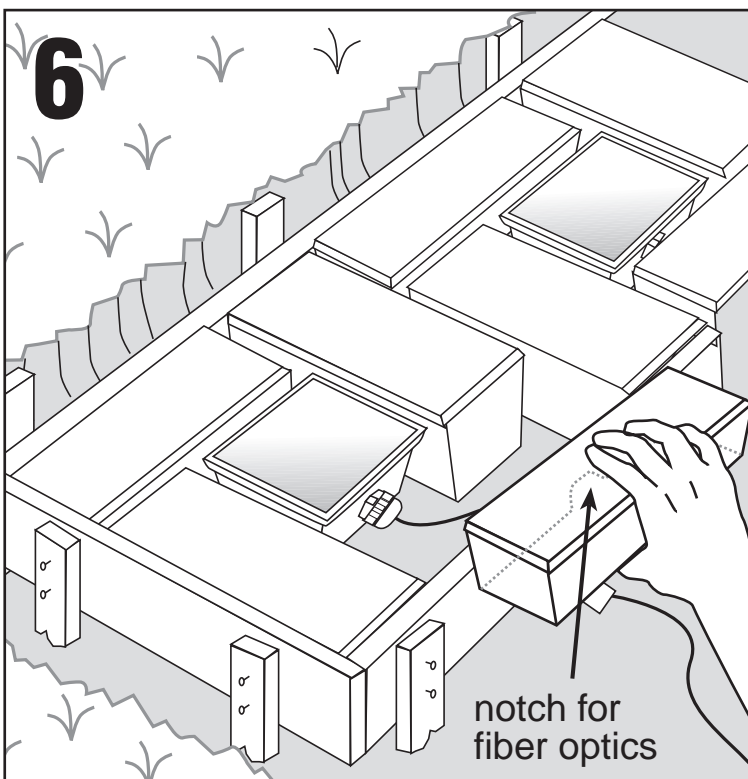


STEP 4: The Paver is now ready for placement.

8210 Presidents Drive
Orlando, FL 32809 USA
Tel 407.857.9900
Fax 407.857.0050
www.svision.com



STEP 5: Place Pavers firmly into the ground with the fiber optics attached and the coupler assembled. Lay bricks around the Light Pavers.



STEP 6: Chisel out a notch in each paver that lays over the fiber tight connector for the fiber optics cables. See **Figure 1** below.

