

PROJECT:	TYPE:
VOLTAGE:	COMMENTS:

SideGlow®

SPECIFICATIONS FEATURES

Construction:

The SideGlow® cable is constructed of .030"/0.75mm diameter PMMA acrylic optical fibers of twisted sub-bundles twisted (sv42, sv84, sv126 only) within a flexible clear jacket. The fibers are twisted around a highly reflective PVC internal core that offers flexible stability with maximum light output.

Size:

(The cable diameter is determined by fiber quantity)

14 fibers: .187" (4.8 MM)

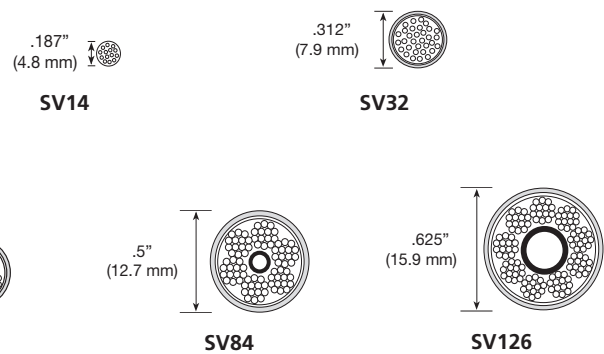
32 fibers: .312" (7.9 MM)

42 fibers: .375" (9.5 MM)

84 fibers: .5" (12.7 MM)

126 fibers: .625" (15.9 MM)

Warranty: 2 years



DESCRIPTION

SideGlow® cable is a safe alternative to neon. It can change colors, is virtually unbreakable and is energy efficient. Suitable for interior and exterior applications, it is UV protected and has an algacide and fungicide treated exterior jacket for maximum durability against the elements. SideGlow® cable is strong enough for amusement park rides, extreme cold as well as underwater applications. With no heat or electricity in the cable, typical lighting design restrictions are eliminated, creating a unlimited of design possibilities. P-Clips or Track tubing allow for maximum versatility and flexibility in mounting.

ORDERING INFORMATION

MODEL

SV14SG - 14 FIBERS

SV32 - 32 FIBERS

SV42 - 42 FIBERS

SV84 - 84 FIBERS

SV126 - 126 FIBERS

Ordering Example: **SV14SG**