

PROJECT: _____ TYPE: _____

VOLTAGE: _____ COMMENTS: _____

COPYRIGHT © 2009 NEXXUS LIGHTING, INC.

SHO WHITE

SPECIFICATIONS FEATURES

Color Temperature:

Warm White (3000K)
Cool White (6000K)

Light Source:

High Brightness LED array

Lumen Output: 1394 max.

Beam Angle: 10°, 30° and 45°

Fixture Spacing: 20' (6.095m)

Control System: None required

Housing Material:

Cast aluminum alloy

Wiring:

Hard wire through bottom and side conduit entrances

Dimension:

13.0" (L) x 5.3" (W) x 9.5" (H)
330 MM (L) x 133 MM (W) x 241 MM (H)

Voltage:

120V line voltage

Lamp Life: 50,000 hours

Mounting:

Easy to install back mounting plate

Current: 1.5A max

Wattage: 68W

Operating Temp:

-4°F to 104°F (-20C to 40C)

Ratings: IP66

Listings: ETL, CE

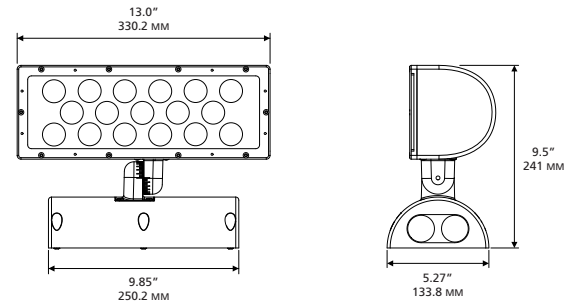
Warranty: 2 years



DESCRIPTION

The **SHO White** is an architectural line voltage, Super High Output white light LED floodlight which operates off of line voltage and does not require a power supply. It is wired like any line voltage floodlight and is available in a 5600 K color temperature. The sealed housing is constructed of cast aluminum alloy.

NO POWER SUPPLY REQUIRED - The SAVI SHO White is the **ONLY** true 120V line voltage LED Flood Light in the industry (patents pending).



ORDERING INFORMATION

MODEL	OPTICS	COLOR TEMPERATURE	FIXTURE COLOR	ACCESSORIES
SAVI-SHO-W ARCHITECTURAL WHITE LIGHT LED LUMINAIRE	10 - 10° OPTICS 30 - 30° OPTICS (STANDARD) 45 - 45° OPTICS	WW - WARM WHITE (3000K) CW - COOL WHITE (6000K)	003 - WHITE* 004 - BLACK (STANDARD) 005 - SILVER* <i>*Special order</i>	13.6203 - TOP & SIDE VISOR 13.6205 - 2" EGG CRATE LOUVER <i>FOR MORE LENS OPTIONS, CALL FACTORY</i>

SAVI-SHO-W _____ - _____ - _____ - _____ - _____ - _____ - _____

Ordering Example: SAVI-SHO-W - 30 - WW - 004