

PROJECT:	TYPE:
VOLTAGE:	COMMENTS:

PaverLyte™ Fixture

SPECIFICATIONS FEATURES

Construction:

Stainless steel body. Black plastic compression fitting.

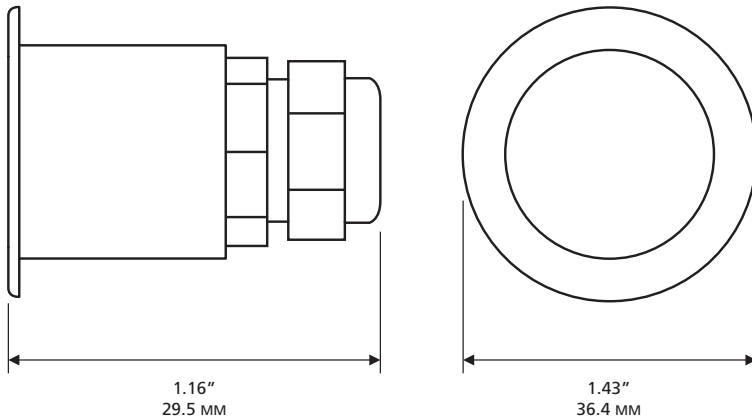
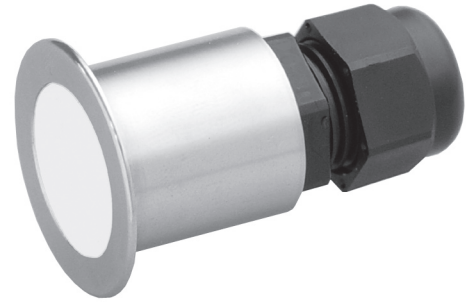
Dimensions:

1.16" (L) x 1.43" (DIAMETER)
29.5 MM (L) x 36.4 MM (DIAMETER)

Installation: Mounts in sch. 40 1" PVC pipe. Secure with silicone adhesive or epoxy. Avoid hard 90 degree fittings (sweeps are recommended).

Warranty:

2 year limited



DESCRIPTION

Applications: Landscape, walkways stairways - wet or dry locations.

- Fibers held in place by compression fitting
- Mounts in Sch. 40 - 1" ID pipe
- Fixture holds up to 75 (1mm) fibers
- Multiple lens options

ORDERING INFORMATION

MODEL

ALS-PL-1

LENS OPTIONS

- D DIFFUSED
- F FLOOD (CLEAR) APPROX. 60°

ALS-PL-1 —

Ordering Example: ALS-PL-1 - D