

PROJECT:	TYPE:
VOLTAGE:	COMMENTS:

LyteTrak™

SPECIFICATIONS FEATURES

Construction:

Extruded aluminum body and face plate.
CK-30, .75 PMMA fiber.

Anodized finishes optional

Average Lumen Output Per Foot

96

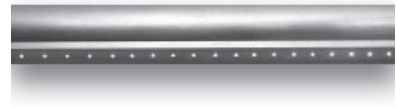
(1/2" Fiber Spacing / Based on 6' Fiber Tail)

192

(1/4" Fiber Spacing / Based on 6' Fiber Tail)

Warranty:

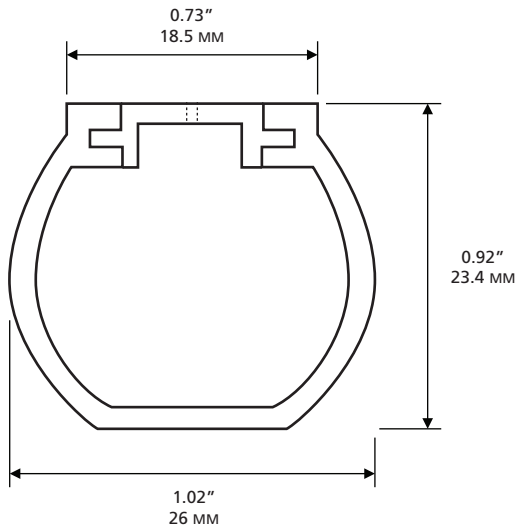
2 year limited



DESCRIPTION

Applications: Display case lighting, architectural lighting, edge lit glass, retail lighting, cove lighting, signage and general illumination.

- Virtually maintenance free
- Very bright appearance.
- Excellent light transmission into glass.
- Easy installation and orientation



LyteTrak Mounting Clip

ORDERING INFORMATION

MODEL	OPTIONS	FIBER SPACING	BAR LENGTH	TAIL LENGTH	ACCESSORIES
ALS-LT	I INTERIOR E EXTERIOR	.25 1/4" .50 1/2"	_____ Ft.	_____ Ft.	Plastic Mounting Clip Aluminium End Cap

ALS-LT - _____ - _____ - _____ - _____ - _____

Ordering Example: ALS-LT - I - .25 - 24 - 6