

PROJECT:	TYPE:
VOLTAGE:	COMMENTS:

# LiveLED™ 35

## SPECIFICATIONS FEATURES

### Construction:

Cast, machined and powder coated aluminum housing with integrated heat sink, formed and powder coated CRS yoke, gasket sealed available for wet locations.

Available in custom finishes.\*

### Lumen Output:

700 lumens Optics: 26 degree diffuse spot

### Voltage:

32VDC Max 50/60 Hz

### Control System:

DMX 512 with master/slave or active control via standard XLR connectors (3 pin standard, 5 pin available upon request)

### Driver:

Proprietary LED driving technology driving 21 LED's (9 red, 6 green, 6 royal blue)

**Weight:** 3 lbs. (1.36 kg)

### Dimensions:

3.375" (L) x 5.0" (W) x 6.0" (H)

65.7 MM (L) x 127.0 MM (W) x 152.4 MM (H)

### Location Listing:

Dry or Damp

### Operational Environment:

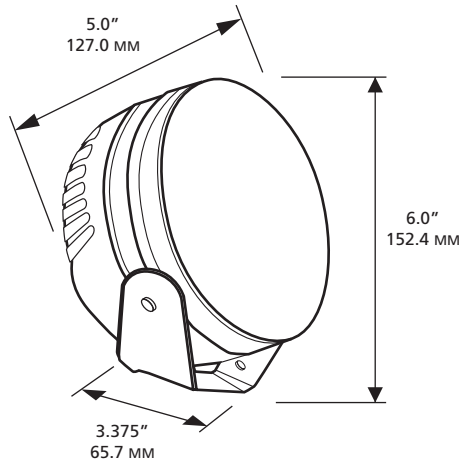
-20C to 60C (-4F to 140F)

### Installation:

The LiveLED 35 Unit must be installed in a space that allows for air flow

**Listings:** cETL / ETL - UL / cUL pending

**Warranty:** 2 years



## DESCRIPTION

The **LiveLED™ 35** is a LED - RGB color-changing, yoke mounted luminaire for indoor and outdoor venues and applications. The LiveLED 35 features an integrated off board power supply with DMX 512 control system.

Smooth RGB color mixing and full range dimming allow for 16.7 million colors and a variety of effects including variable speed cross fades, variable speed color changes, strobos and more. The unit may be operated with DMX controllers, in master / slave synchronization, with other units (with or without a controller), and in stand-alone mode with 49 pre-programmed effects.



## ORDERING INFORMATION

### MODEL

**ALS-LLED-35**  
LIVELED FIXTURE\*

\*Call Manufacturer for available custom finishes.

### FIXTURE OPTIONS

- 1 SINGLE FIXTURE
- 2 DUAL FIXTURE
- 4 QUAD FIXTURE

### ACCESSORIES

- Power Control Cable
- Controller Powersupply

ALS-LLED-35 — — —

Ordering Example: **ALS-LLED-35 - 1**