

PROJECT:

TYPE:

VOLTAGE:

COMMENTS:

COPYRIGHT © 2009 NEXXUS LIGHTING, INC.

Linear Lighting Bar

SPECIFICATIONS FEATURES

Light Source:

18 Samsung High Brightness LED's per foot

Construction:

Extruded Aluminum housing

Lumen Output:

248 Lumens per foot (3200K)
318 Lumens per foot (6500K)

Wattage:

4.5 Watts per foot

Input Voltage:

100-264 VAC

Output Voltage:

24 VDC

Optical Angle:

120° beam angle

Color Temperature:

3200K or 6500K

Standard Lengths:

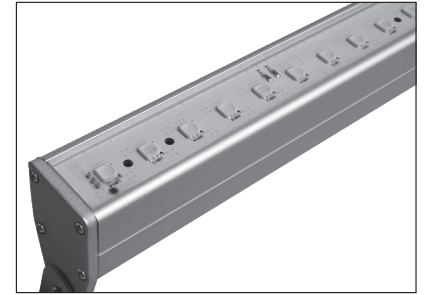
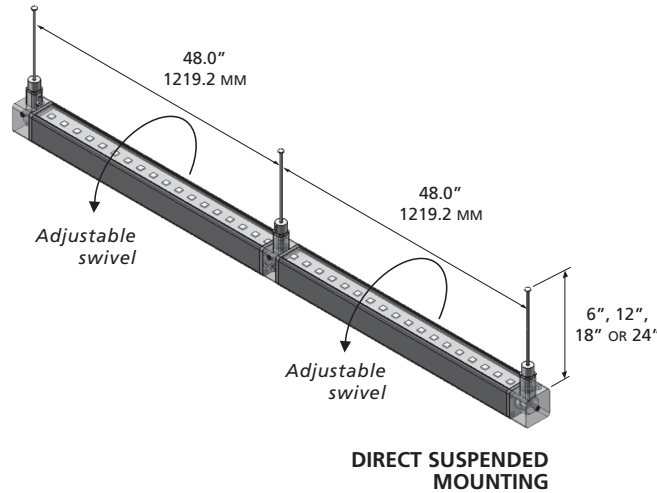
1ft, 2ft, 3ft, 4th & 8ft Lengths

IP Rating:

IP50

Warranty:

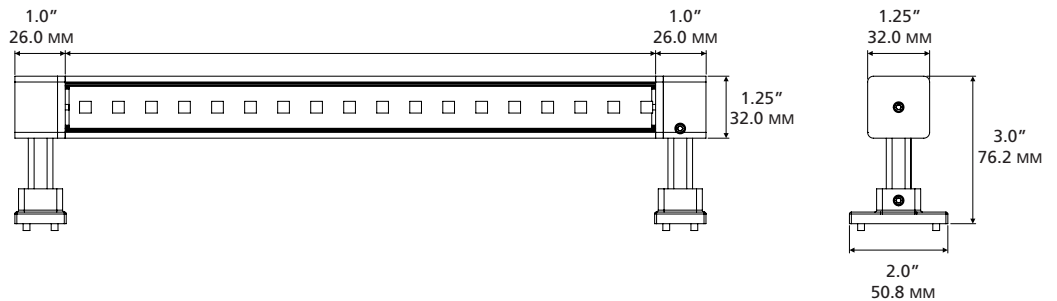
2 years



DESCRIPTION

The **Linear Light Bar** is a high performance architectural linear lighting system for coves, wall washing and general illumination applications both direct and indirect.

The Linear Light Bar can be mounted in a variety of ways, including fixed surface mounted, direct suspended cable and wall mounted.



ORDERING INFORMATION

MODEL	LENGTH	COLOR	MOUNTING	POWER SUPPLIES
SAVI-LLB	1 - 1 FOOT	CW - 6500 K	F - FIXED SURFACE MOUNT	EVPS150-24 150W 24VDC LED POWER SUPPLY, OPERATES UP TO 30' OF LINEAR LIGHT BAR
	2 - 2 FOOT	WW - 3200 K	S6 - 6" DIRECT SUSPENDED CABLE	
	3 - 3 FOOT		S12 - 12" DIRECT SUSPENDED CABLE	EVPS300-24 300W 24VDC LED POWER SUPPLY, OPERATES UP TO 60' OF LINEAR LIGHT BAR
	4 - 4 FOOT		S18 - 18" DIRECT SUSPENDED CABLE	
	8 - 8 FOOT		S24 - 24" DIRECT SUSPENDED CABLE	
			W - WALL MOUNT KIT (INCLUDES ADJUSTABLE 4" AND 12" EXTENSION ARM)	

SAVI-LLB

Ordering Example: SAVI-LLB - 1 - CW - 1 - F