

EVPS60 POWER SUPPLY

SPECIFICATIONS FEATURES

Input Voltage Range: 90-264 VAC

Input Frequency Range: 47-63 Hz

Max Input Current:
1.6A@115VAC input

Max Inrush Current:
30A@230VAC input, 25°C, cold start up

Output Max Power: 60W

Output Efficiency:
83% Typical @ full load, 230 VAC input

Output Line Regulation:
+/- 1% Max

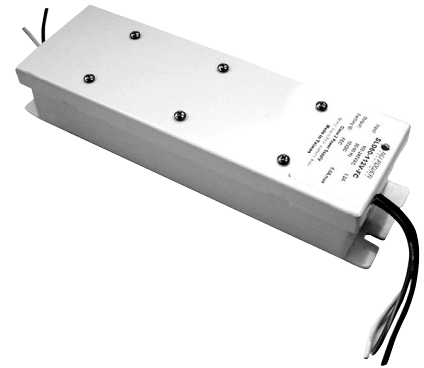
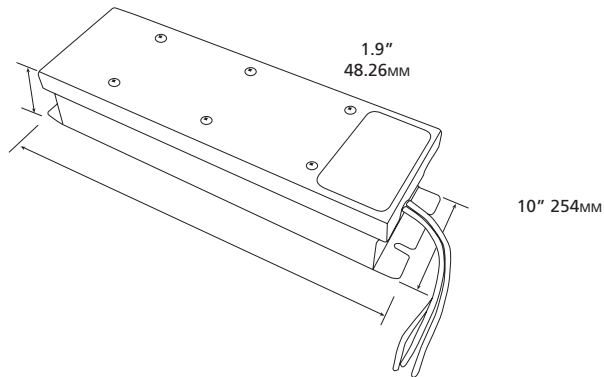
Output Load Regulation:
+/- 3% Max

Output Over-Voltage Protection: 120%
Max

Output Over Load Protection: Constant
Current Limiting

Operating Temperature:
-20°C to 60°C (Full Load), 70°C (50% Load)

Weight: FC - 1 lb (6.7oz), FT - 1 lb (6.7oz)



DESCRIPTION

The **EVPS60** series power supplies are designed to provide complete outdoor/indoor installation ready DC power for all your LED lighting applications. One of the most important benefits of LED lighting technology is its energy efficiency. However, in order for an LED lighting system to provide the greatest efficiency and reliability, the power source, the lifeblood of the LED, must also be energy efficient. The EVPS60 power supply series is designed with the latest in switched-mode technology, which increase the LED lighting systems energy efficiency and reliability.

Electronic Features

- Highly efficient switched-mode technology
- Universal AC input, 120/240VAC operation
- Automatic Constant-voltage/ Constant current operation (CV/CC)
- User adjustable voltage and current
- Very low LED peak/ noise current - 1 % Max

Mechanical Features

- NEMA 3 design for indoor or outdoor installations
- Terminal Screw or Conduit entry versions
- Light and compact package

Reliability/ Warranty/ Compliance

- MTBF 55,000 hours
- Wide operating temperature range - -20 to 70°C
- Meets all agency requirements - Class 2 UL/ CUL, FCC

ORDERING INFORMATION

MODEL

EVPS60 - 60 WATT - 12VDC ETL LISTED
POWER SUPPLY - 1 YEAR WARRANTY

EVPS60-12-UL - 12VDC UL LISTED
POWER SUPPLY - 5 YEAR WARRANTY