

PROJECT:	TYPE:
VOLTAGE:	COMMENTS:

eLum™ RGB Controller

SPECIFICATIONS FEATURES

DMX Input:

3 pin XLR standard (5 pin available by request)

DMX Output:

3 pin XLR standard (5 pin available by request)

Outputs 1-4:

32 watts max per output, Can power up to 8 x 16" RGB boards per output. 50' max home run cable per output

Input Voltage:

24 VDC from ALS-LED 180 PS

Input Power:

180 watts

Input Current:

30ma. 8A

Dimensions:

6.0" (L) x 5.0" (W) x 1.75" (H)

152.4 MM (L) x 127.0 MM (W) x 44.5 MM (H)

Environmental:

-40F / -40C to 122F / 50C

Warranty: 2 years limited

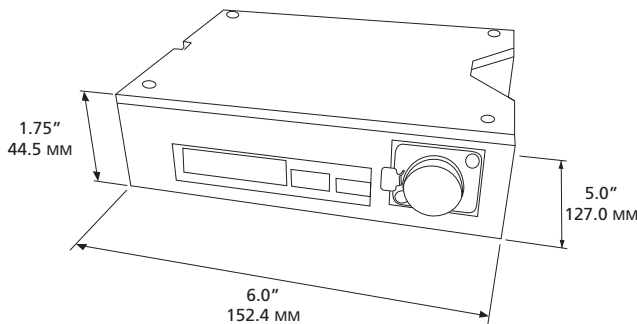


DESCRIPTION

The **eLum™ Controller** is Ideal for Architectural, Retail, Entertainment, Specialized venues and other installations. This controller is designed to receive DMX512 protocol and to drive a number of Advanced Lighting's LED strips. The eLum Controller uses 24VDC power and three 0.5 - 5V analog control signals to vary the intensity of the red, green, and blue LED's. The controller's DMX input is fully opto-isolated and is bi-directional thus allowing the implementation of ESTA's RDM protocol. RDM is implemented to allow remote setting of the interface's DMX address and to gain access to the built-in effects package.

Smooth RGB color mixing and full range dimming allow for 16.7 million colors and a variety of effects including variable speed cross fades, variable speed color changes, strobes and more. The unit may be operated with DMX controllers, in master / slave synchronization, with other units (with or without a controller), and in stand-alone mode with 49 pre-programmed effects.

- Unit is fully opto-isolated and bi-directional for Remote Device Management (RDM)
- Rugged ABS housing with mounting flanges.
- Capable of master/slave or running pre-programmed shows
- Silent operation
- DMX pass through for daisy chain configurations
- Easy dip switch settings for addressing or pre-programmed effects.
- 49 pre-programmed effects



ORDERING INFORMATION

MODEL

ALS-ELUM-RGB-CNTRL-1

POWER SUPPLY

ALS-LED 180 PS

ALS-ELUM-RGB-CNTRL-1

Ordering Example: ALS-ELUM-RGB-CNTRL-1