

# 02.024V POWER SUPPLY

## SPECIFICATIONS FEATURES

### ELECTRONIC FEATURES

- Highly efficient switched-mode technology
- Universal AC input, 120/240VAC operation
- Automatic Constant-voltage
- Very low LED peak/ noise current - 1 % Max

### MECHANICAL FEATURES

- NEMA 3 design for indoor or outdoor installations
- Light and compact package

### RELIABILITY/ WARRANTY/ COMPLIANCE

- MTBF 55,000 hours
- Wide operating temperature range: -25°C to +60°C
- Meets all agency requirements - UL/ cUL Class 2, CE, FC

### BENEFITS

- Highly energy efficient - complements LED efficiency
- 120/ 240 VAC operation reduces inventory and cost
- Constant voltage output
- Low LED noise current reduces LED stress
- Immediate savings on installation and hardware costs
- Does not require additional J-box/ enclosure
- Easy and quick installation and/ or removal
- Provide low cost and simple expansion to higher power levels for large LED lighting systems
- Light and compact package installs anywhere
- Long life complements LED life expectancy
- Dependable operation in extreme environments

### INPUT

**Voltage Range:** 90-264 VAC

**Frequency Range:** 47-63 Hz

**Max Input Current:** 1.5A@100VAC input

**Max Inrush Current:** 30A@230VAC input, 25°C, cold start up

### OUTPUT

**Voltage:** 24VDC

**Max Power:** 60W

**Efficiency:** 83% Typical @ full load, 230 VAC input

**Line Regulation:** +/- 1% Max

**Load Regulation:** +/- 3% Max

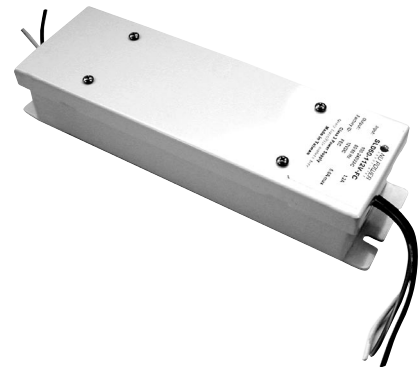
**Over-Voltage Protection:** 130% Max

**Over Load Protection:** Constant Current Limiting

**Environmental Rating:** IP65

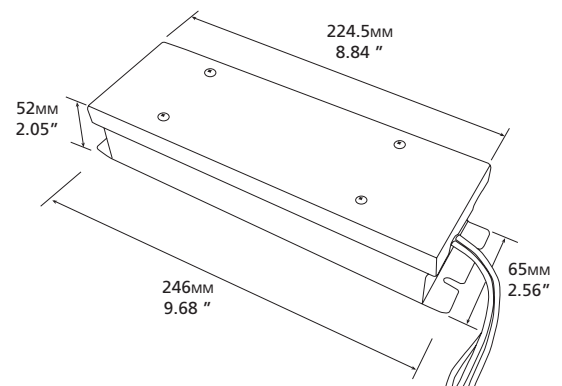
**Operating temperature:** -25°C to +60°C (Full Load)

**Weight:** 1.94 lb (0.88 kg)



## DESCRIPTION

The **02.024V power supply** is designed to provide complete outdoor/indoor installation ready 24VDC power for all your LED lighting applications. One of the most important benefits of LED lighting technology is its energy efficiency. However, in order for an LED lighting system to provide the greatest efficiency and reliability, the power source, the lifeblood of the LED, must also be energy efficient. The 02.024V power supply is designed with the latest in switched-mode technology, which increase the LED lighting systems energy efficiency and reliability.



## ORDERING INFORMATION

### MODEL

#### 02.024V

60 WATT - 24VDC UL CLASS 2  
LISTED POWER SUPPLY